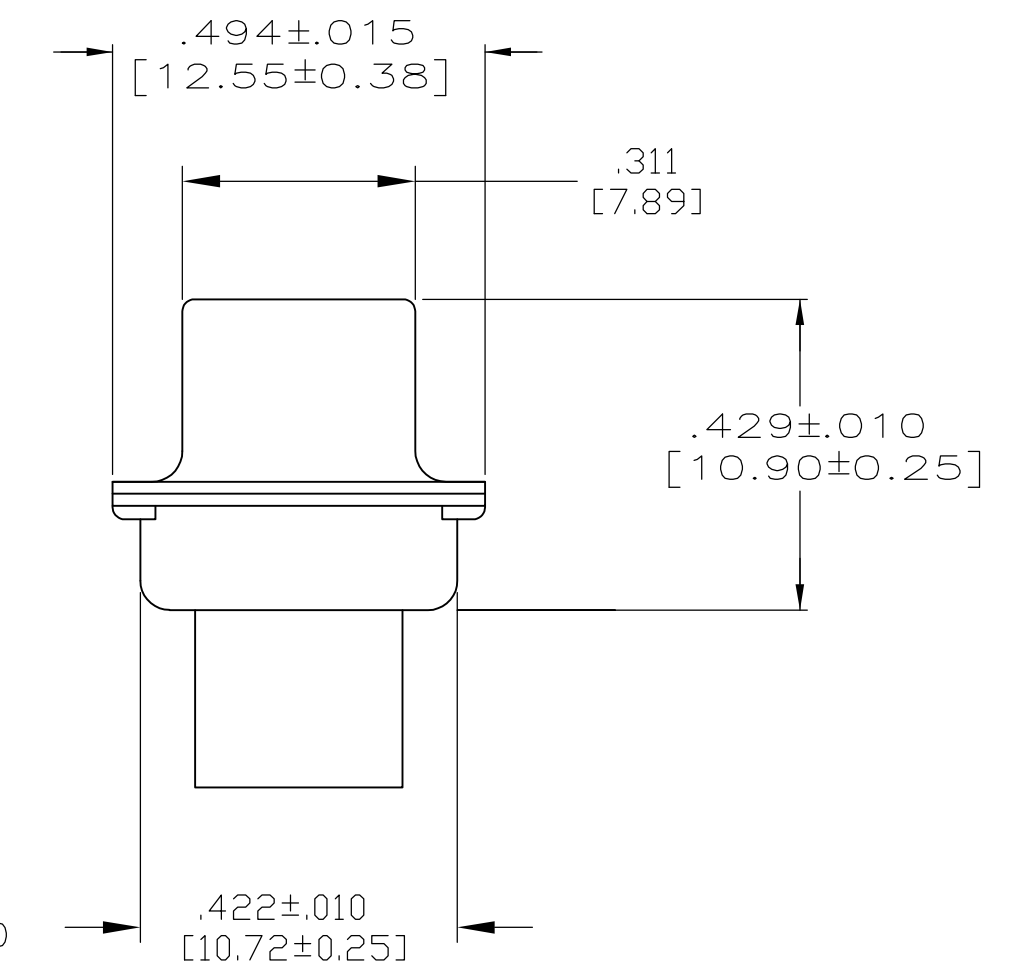
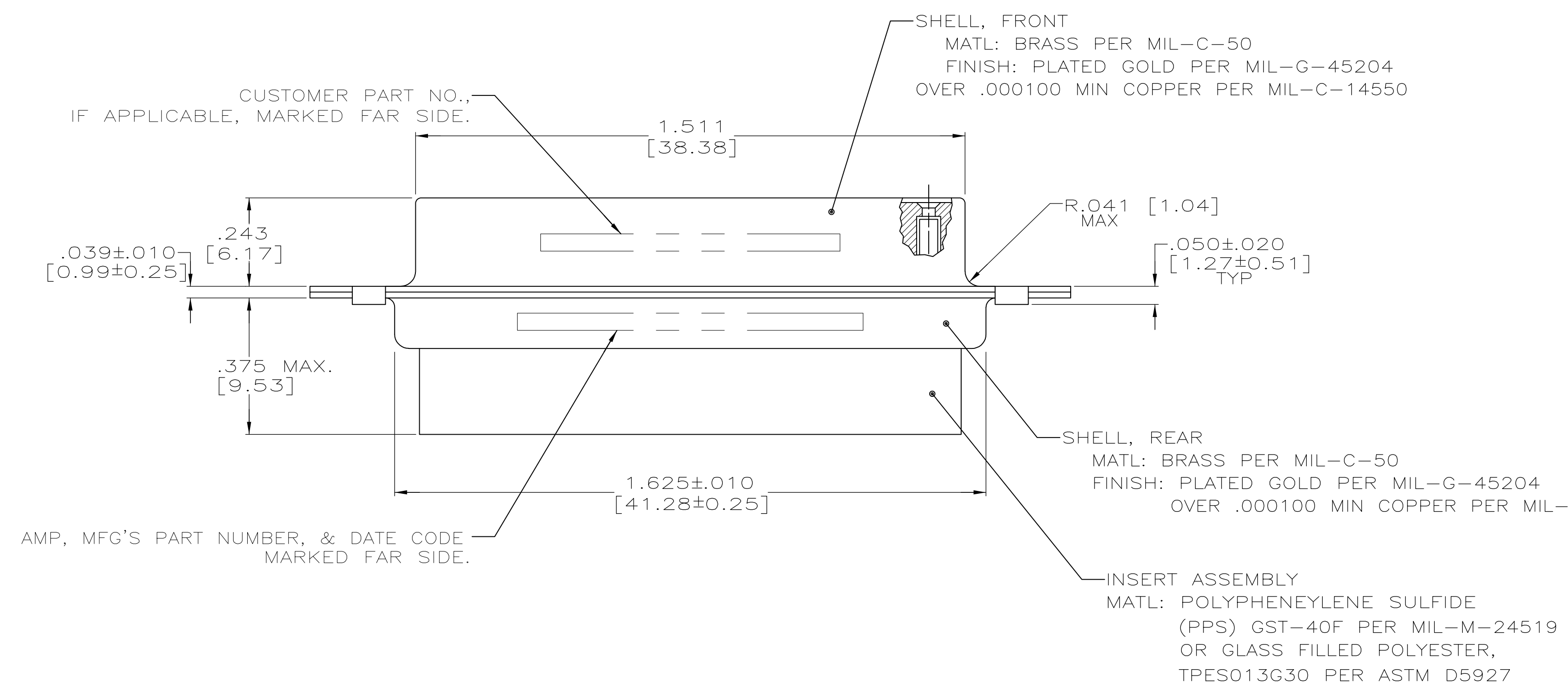
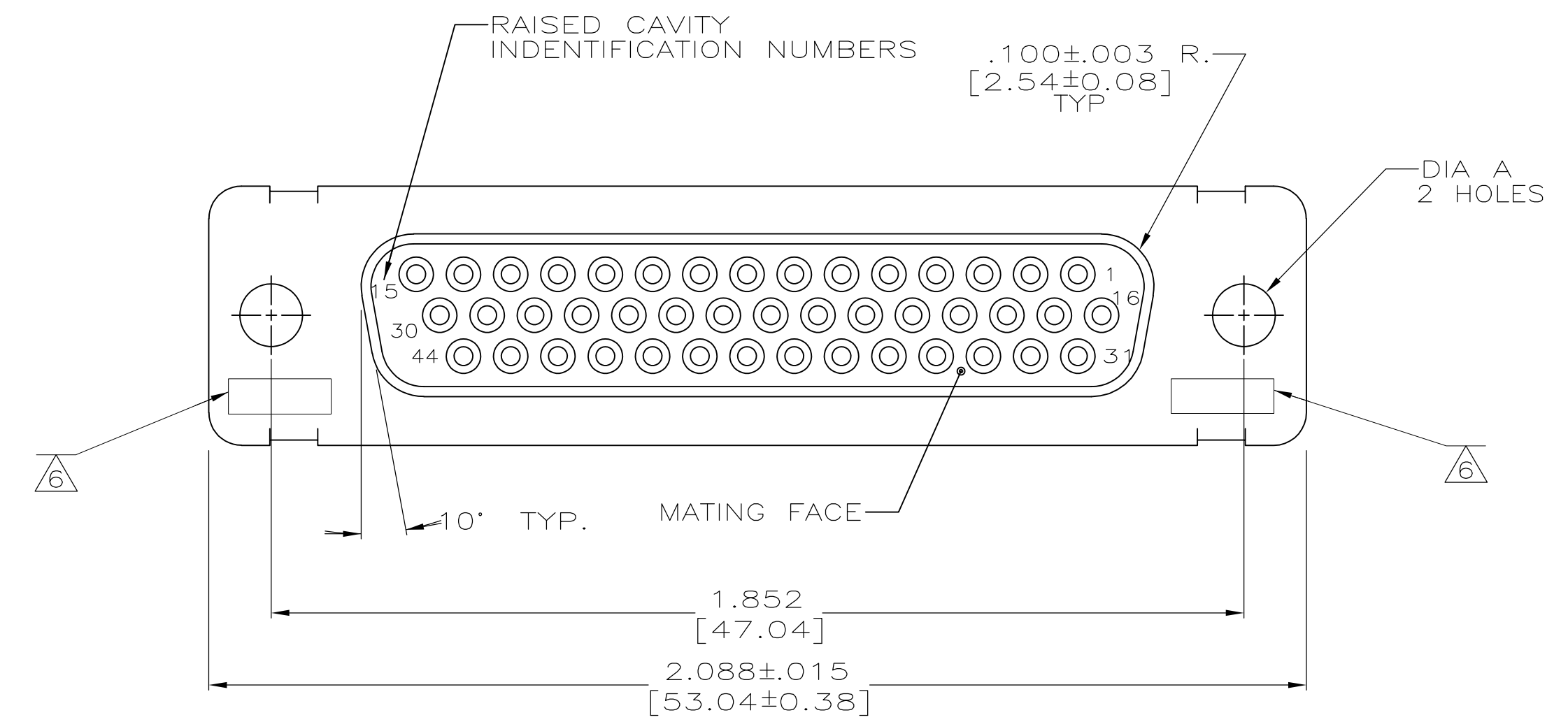


- THIS RECEPTACLE WILL MATE WITH ANY PLUG CONNECTOR WITH THE SAME INSERT ARRANGEMENT AS DEFINED BY MS18275-2.
  - MAXIMUM WIRE INSULATION USED WITH THIS RCPT. IS .054 [1.37] DIA.
  - Be-Cu RETENTION CLIPS ARE INCLUDED IN INSERTS.
- $\triangle$  INSPECTION REQUIREMENTS PER R4383.  
 $\triangle$  CONNECTOR SUPPLIED WITH 49 CONTACTS, MFG'S PART NUMBER 206071-1. INSPECTION REQUIREMENTS PER R4383 WITHOUT TESTS FOR HIGH ALTITUDE DIELECTRIC WITHSTANDING VOLTAGE AS CALLED FOR IN TABLE II SCREENING AND TESTING.  
 $\triangle$  UL/CSA DESIGNATION MARKED IN THIS AREA, OPTIONAL  
 $\triangle$  SPECIAL TESTING PER GE DOCUMENT 20025720. CONNECTOR SUPPLIED WITH 54 CONTACTS, MFG'S P/N 206071-1.  
 $\triangle$  RESTRICTED TO CAE ELECTRONICS ONLY.  
 $\triangle$  THESE CONNECTORS ARE QUALIFIED TO GODDARD SPACE FLIGHT CENTER SPECIFICATION S-311-P-4.



MFG'S P/N 206071-1  
 GSFC P/N G-08-S1  
 (SUPPLIED WITH 206064-7 AND 206064-8 ONLY)

$\triangle$ 8	.120 [3.05]	570566-3	1-206064-0	1-206064-0
$\triangle$ 9	.120 [3.05]	311P407-3S-B-12	206064-4	206064-9
$\triangle$ 7	.120 [3.05]	20025720P1044S	206064-8	206064-8
$\triangle$ 5	.120 [3.05]	R4383P44S	206064-7	206064-7
	.120 [3.05]	---	206064-6	206064-6
$\triangle$ 4	.120 [3.05]	R4383P44S-2	206064-5	206064-5
$\triangle$ 9	.120 [3.05]	311P407-3S-B-12	206064-4	206064-4
	.154 [3.91]	---	206064-3	206064-3
$\triangle$ 9	.154 [3.91]	311P407-3S-B-15	206064-2	206064-2
	.120 [3.05]	R9259P44S	206064-1	206064-1
REMARKS	DIA A	CUSTOMER P/N ON CONNECTOR	AMP P/N ON CONNECTOR	MFG'S P/N

THIS DRAWING IS A CONTROLLED DOCUMENT.

DWN: P. YEAGER 05OCT06  
 CHK: D. MILLER 05OCT06  
 APVD: D. MILLER 05OCT06  
 NAME: Tyco Electronics Corporation, Harrisburg, PA 17105-3608

DIMENSIONS: INCHES  
 TOLERANCES UNLESS OTHERWISE SPECIFIED:  
 0 PLC ± -  
 1 PLC ± -  
 2 PLC ± -  
 3 PLC ± .005  
 4 PLC ± -  
 ANGLES ± -  
 FINISH SEE CALLOUTS

PRODUCT SPEC: AMP/PLMITE NONMAGNETIC RCPT ASSY SERIES 90, SHELL SIZE 3, 44 POSN  
 APPLICATION SPEC: ---  
 SIZE: A1  
 CAGE CODE: 00779  
 DRAWING NO: 206064  
 WEIGHT: ---  
 CUSTOMER DRAWING: ---

SCALE: 4:1  
 SHEET: 1 OF 1  
 REV: V